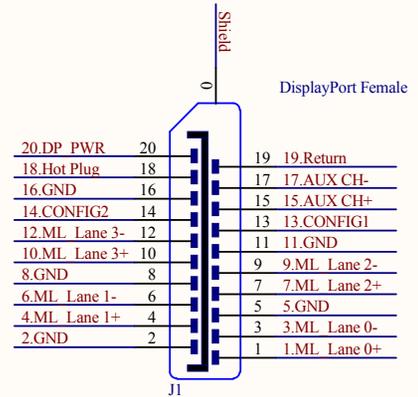
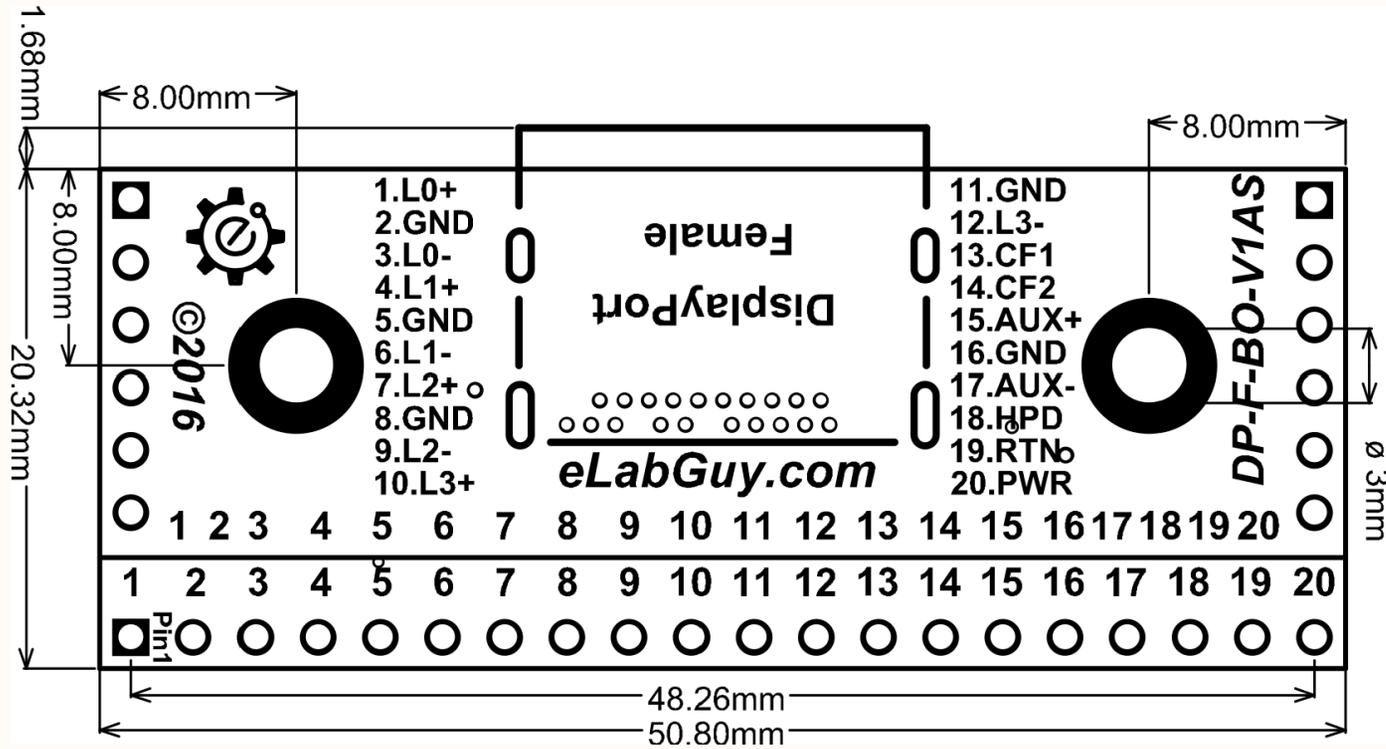
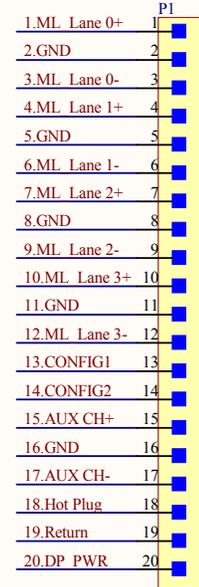


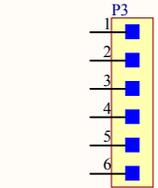
* PCB 1.60mm THICKNESS



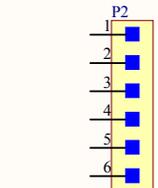
20.DP_PWR	20	19	19.Return
18.Hot Plug	18	17	17.AUX CH-
16.GND	16	15	15.AUX CH+
14.CONFIG2	14	13	13.CONFIG1
12.ML Lane 3-	12	11	11.GND
10.ML Lane 3+	10	9	9.ML Lane 2-
8.GND	8	7	7.ML Lane 2+
6.ML Lane 1-	6	5	5.GND
4.ML Lane 1+	4	3	3.ML Lane 0-
2.GND	2	1	1.ML Lane 0+



Header 20X1_2.54mm



Header 6X1_2.54mm



Header 6X1_2.54mm



Title			Displayport Female Breakout (Side)		
Size	Number	Revision			
A4	DP-F-BO-V1AS	1AS			
Date:	11/5/2016	Sheet of			
File:	C:\Users\...DP-F-BO-V1AS Drawing.Sch	Drawn By:		www.eLabGuy.com	